

Toggle latches

Steel / Stainless Steel

SPECIFICATION

Types

- Type **A**: without safety catch
- Type **S**: with safety catch
- Type **SV**: for safety catch with padlock

Identification No.

- No. **1**: long Type
- No. **2**: short Type

Version in Steel ST

zinc plated, blue passivated

Version in Stainless Steel NI

- Parts in sheet metal AISI 304
- Clamping hook / pin AISI 303



INFORMATION

GN 831 toggle latches are used among others for the secure holding of flaps and container lids. The clamps will lock securely over the centre and are thus vibration proof.

The stroke w_1 of the clamping hook can pull the parts to be clamped together by up to 6 mm. The range w_2 can be adjusted on the M6 threaded spindle at the clamping hook.

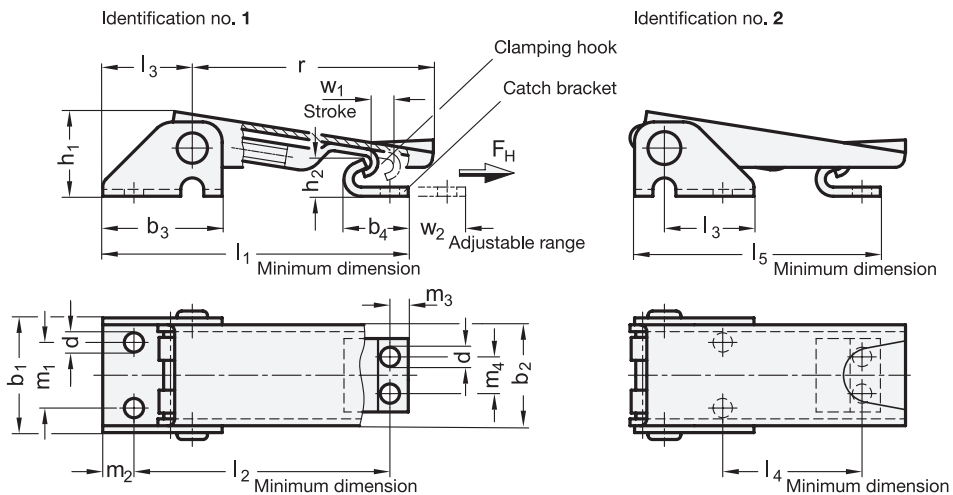
The types S and SV prevent unwanted release of the toggle latch. Screws with low head height such as DIN 6912 are used to fix the toggle latches.

The load specified in the table are simply guide line values for a nominal static pulling force which the lock can withstand. Depending on the conditions under which these toggle latches are used such as vibration or shock loads, the holding capacity can be adversely affected.

The catch bracket is included.

TECHNICAL INFORMATION

- Stainless Steel characteristics (see page A26)



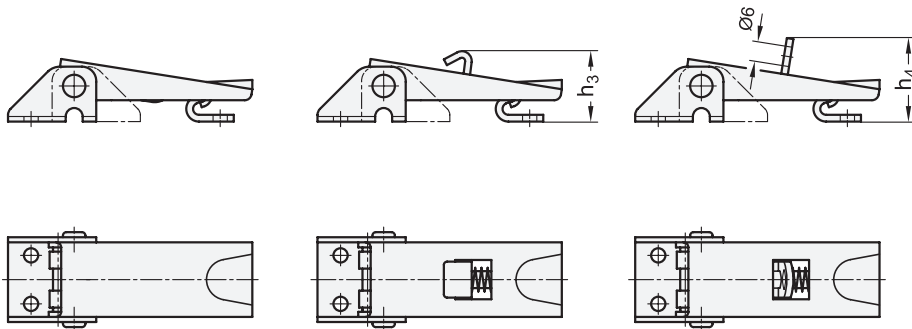


The respective long versions (Identification no. 1) are pictured

Type **A**
without safety catch

Type **S**
with safety catch

Type **SV**
for safety with padlock



GN 831

Description	Size	FH	in	N	b1	b2	b3	b4	d	h1	h2	h3	h4	l1 min.	l2 min.	l3	l4 min.	l5 min.	m1	m2	m3	m4	r	w1	w2	≈	⚖
GN 831-100-A-ST-1	100	1000	25.5	22	26	14	4.2	18.5	8.5	-	-	-	-	67	56	19.5	-	-	14.3	7	4	8	51	5.5	12	55	
GN 831-100-A-ST-2	100	1000	25.5	22	26	14	4.2	18.5	8.5	-	-	-	-	-	-	19.5	31	54	14.3	7	4	8	51	5.5	12	40	
GN 831-100-S-ST-1	100	1000	25.5	22	26	14	4.2	18.5	8.5	21.5	-	-	-	74	63	19.5	-	-	14.3	7	4	8	51	5.5	8	60	
GN 831-100-S-ST-2	100	1000	25.5	22	26	14	4.2	18.5	8.5	21.5	-	-	-	-	-	19.5	38	61	14.3	7	4	8	51	5.5	8	58	
GN 831-100-SV-ST-1	100	1000	25.5	22	26	14	4.2	18.5	8.5	-	25.5	-	-	67	56	19.5	-	-	14.3	7	4	8	51	5.5	12	55	
GN 831-100-SV-ST-2	100	1000	25.5	22	26	14	4.2	18.5	8.5	-	25.5	-	-	-	-	19.5	31	54	14.3	7	4	8	51	5.5	12	55	

GN 831-NI

STAINLESS STEEL

Description	Size	FH	in	N	b1	b2	b3	b4	d	h1	h2	h3	h4	l1 min.	l2 min.	l3	l4 min.	l5 min.	m1	m2	m3	m4	r	w1	w2	≈	⚖
GN 831-100-A-NI-1	100	1000	25.5	22	26	14	4.2	18.5	8.5	-	-	-	-	67	56	19.5	-	-	14.3	7	4	8	51	5.5	12	54	
GN 831-100-A-NI-2	100	1000	25.5	22	26	14	4.2	18.5	8.5	-	-	-	-	-	-	19.5	31	54	14.3	7	4	8	51	5.5	12	54	
GN 831-100-S-NI-1	100	1000	25.5	22	26	14	4.2	18.5	8.5	21.5	-	-	-	74	63	19.5	-	-	14.3	7	4	8	51	5.5	8	50	
GN 831-100-S-NI-2	100	1000	25.5	22	26	14	4.2	18.5	8.5	21.5	-	-	-	-	-	19.5	38	61	14.3	7	4	8	51	5.5	8	49	
GN 831-100-SV-NI-1	100	1000	25.5	22	26	14	4.2	18.5	8.5	-	25.5	-	-	67	56	19.5	-	-	14.3	7	4	8	51	5.5	12	57	
GN 831-100-SV-NI-2	100	1000	25.5	22	26	14	4.2	18.5	8.5	-	25.5	-	-	-	-	19.5	31	54	14.3	7	4	8	51	5.5	12	55	